

LED Lighting Solutions



DATA SHEET

Underwater lighting in swimming pools and spas is now able to take advantage of recent advances in LED technology. Until now the LED's available have not been able to produce the amount of light required reliably.

Topline manufacture an LED light that is a direct replacement for the PAR56 lamp and fits most leading manufacturers niches. We also supply our own niche which is supplied with a stainless steel bezel which is only 3mm proud of the pool tiles.

This light is rated at 36 watts, although this is less than a conventional underwater light, the efficiency and type of light produced by our unit, actually emits more light through the water.

Topline also have available a flush mounted single LED unit used for spa's and pool floor illumination. This unit can also be adapted to fit a number of existing niches.

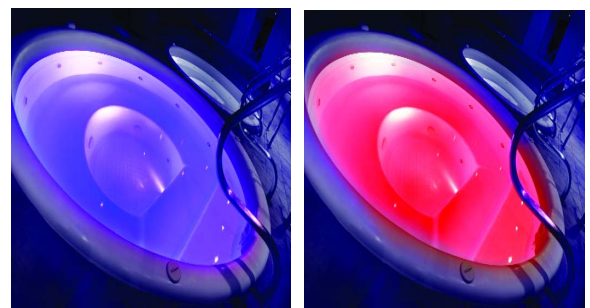
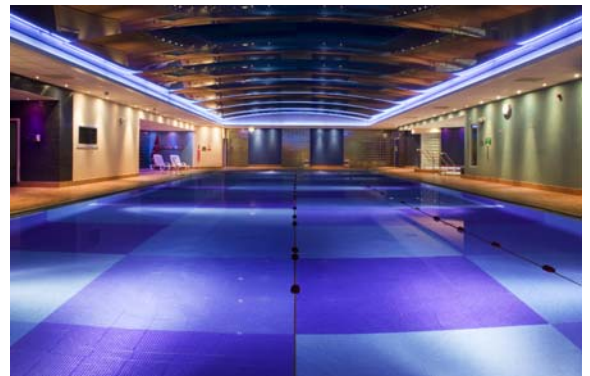
Benefits include:

- High light output
- Energy savings
- Long life up to 10 times that of a normal light
- Compatible with existing installations
- Ease of installation
- No dead areas of water behind light
- Colour options (See reverse for details)

Energy Savings: A conventional 300 watt light will cost use up to £210-00 of electricity in one year. The equivalent Topline LED unit will use £25-00. When this saving is considered along with the frequent replacement of conventional underwater lights, then pay back periods may well be under 12 months.

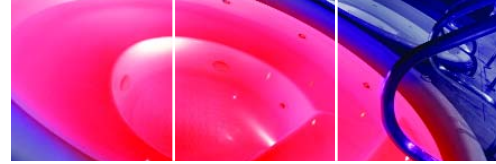
Health and safety: Most underwater lights have an area directly behind the light that can trap water. This water is stagnant and allows bacteria to breed at an alarming rate. Anybody that has changed an underwater light will confirm this.

The Topline unit allows water to flow from the rear of the light back into the pool or spa. This is achieved by convection through cut outs built into the light surround.



**Topline**

LED Lighting Solutions



TECHNICAL DATA POOL LIGHTS

Dimensions

170mm dia x 24mm deep IP68 Stainless Steel
& acrylic enclosure

Power requirement

12 Volts AC 40VA

Power consumption

36 Watts

Operating temperature

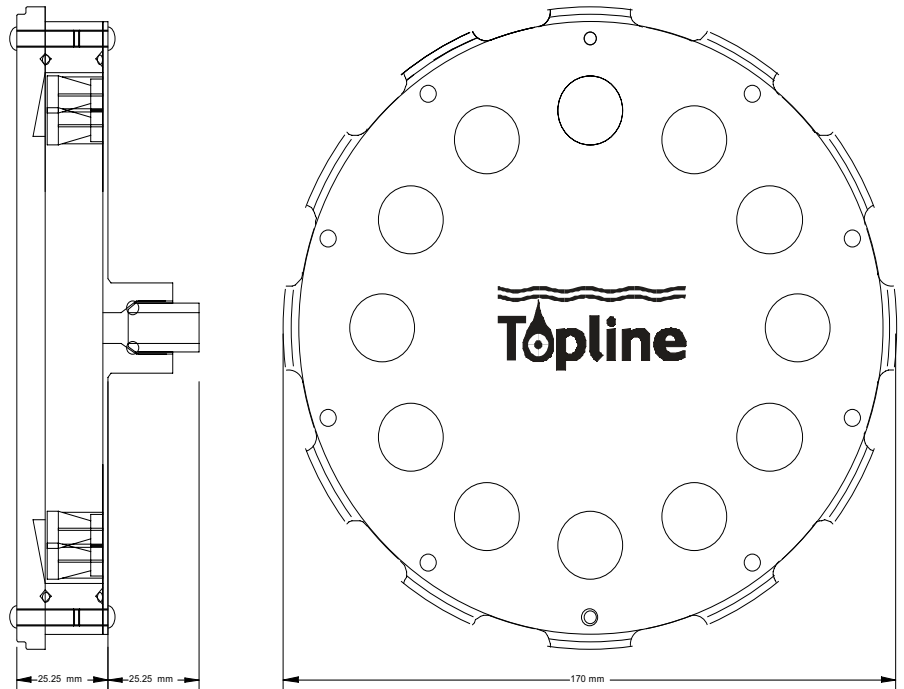
0-40 degrees centigrade

Cable requirement

2 off CSA 1.5mm for power

Colours available

Amber, Blue, Cyan, Green, Red, Red / Orange
and White



TECHNICAL DATA MINILIGHT

Dimensions

70mm dia x 70mm deep IP68 Anodised
aluminium & acrylic enclosure

Power requirement

3.3 Volts AC 350mA

Power consumption

1 Watts

Operating temperature

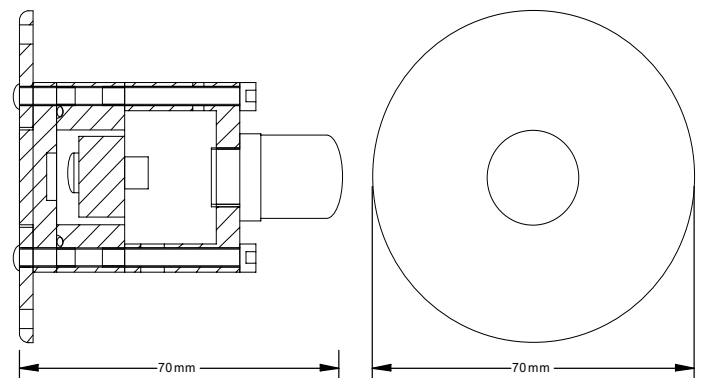
0-40 degrees centigrade

Cable requirement

2 off CSA 0.5mm for power

Colours available

Blue, Green, Red and White



Topline Electronics Limited

Unit A8 Ropemaker Park
Diplocks Way Industrial Estate
Hailsham, East Sussex BN27 3GU

Tel: 01323 440760 Fax: 01323 844508

Email: sales@topline.uk.net

Internet: www.topline.uk.net